



Hydraulic JAKS

Automotive Equipment

It lifts any type of cars, vans and light transport vehicles.

 Lifts



J002

J118

J240

J240P

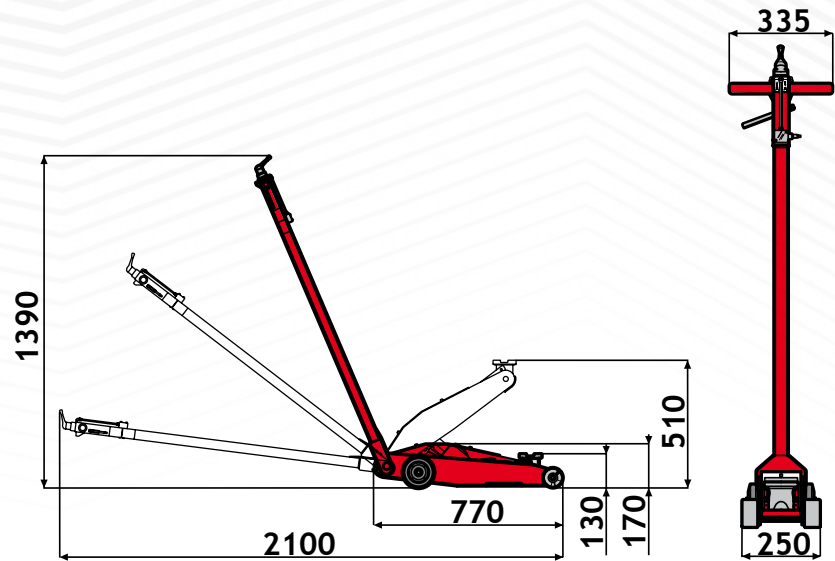
J330

J440

J002

- The **J002** has capacity and dimensions tailored to the requirements of those working mainly on vans and light trucks.

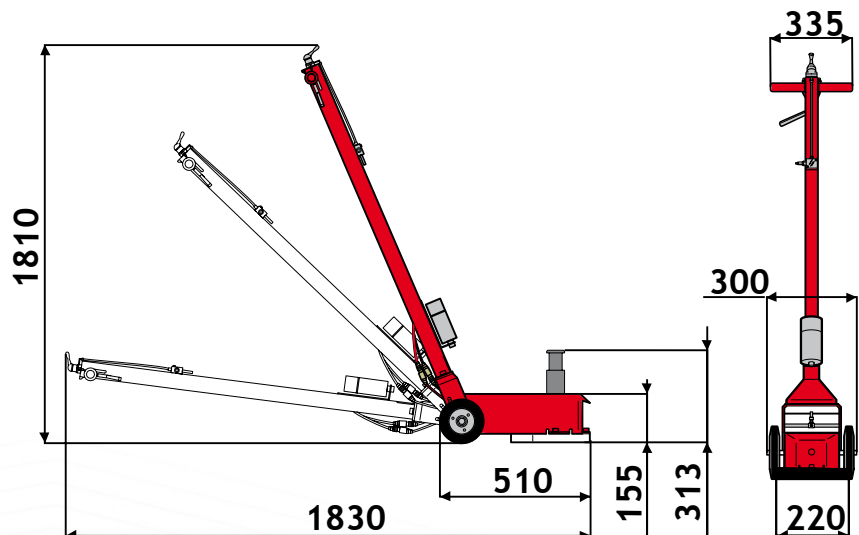
The lifting system is by pantograph.



J240

- The **J240** thanks to a very low-level when retracted, the K 240 considerably simplifies the lifting of vehicles with low ground clearance.

The lifting system is by multistage vertical cylinders.

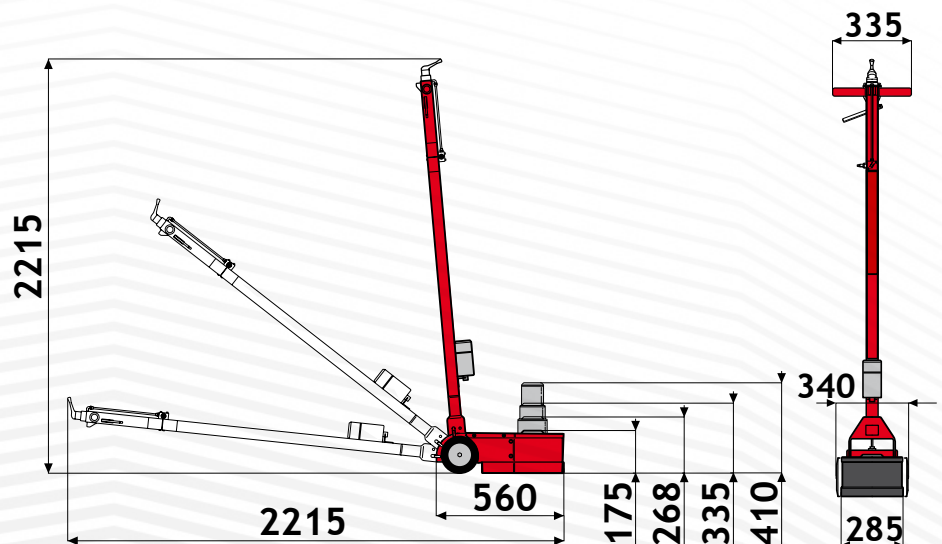


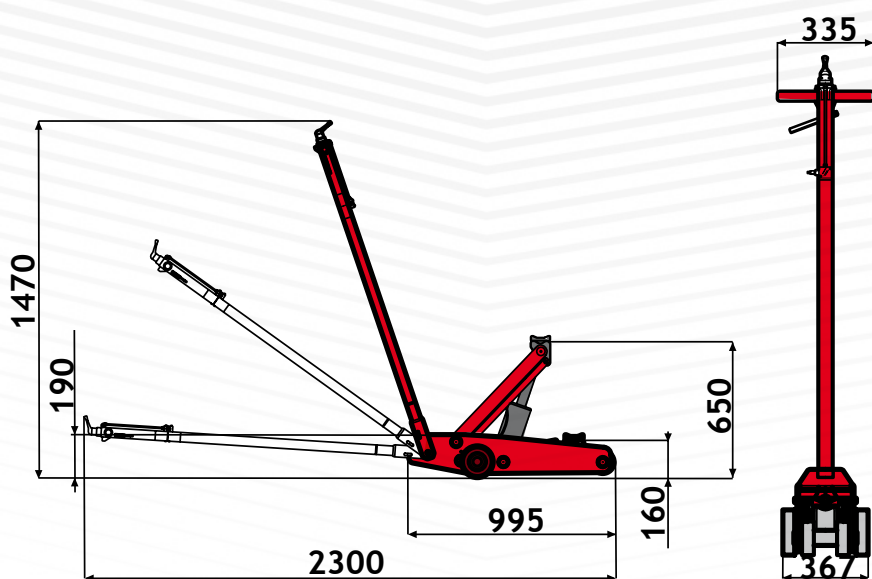
J330

- The **J330** impressively tough and powerful, is designed above all for the most demanding jobs on trucks.

The lifting system is by multistage vertical cylinders.

The lifting range is from 175 mm to 560 mm (with extensions).

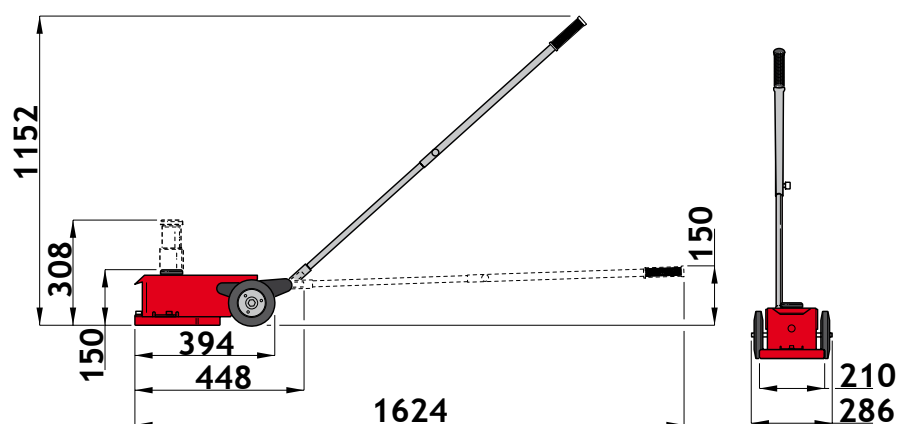




J118

- The **J118** is intended for heavy-duty use on trucks, and is able to reach lifting points a long way from the edge of the vehicle.

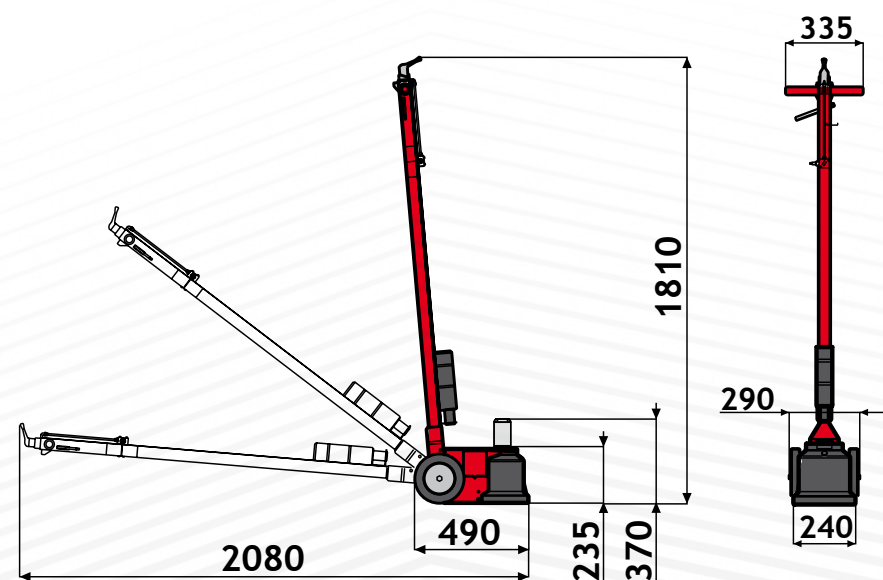
The lifting system is by pantograph with maximum height of 650 mm.



J240P

- The **J240P** is similar to the J240 but is also very portable, making it ideal for mobile service centres.

The lifting system is by multistage vertical cylinders.



J440

- The **J440** power and handiness are the main features of this model. The lifting system is by single-stage vertical cylinders. The lifting range with standard extensions is from 235 mm to 605 mm.

Lifts

TECHNICAL DATA

Model		J002	J118	J240	J240P	J330	J440
Passenger car		•					
Light truck		•	•	•	•	•	•
Truck and bus			•	•	•	•	•
Capacity							
Maximum capacity	t	2	16	28	28	60	40
Maximum capacity at 1st stage	t	-	-	28	28	60	40
Maximum capacity at 2st stage	t	-	-	18	18	40	-
Maximum capacity at 3st stage	t	-	-	-	-	20	-
Lifting height							
Minimum	mm	125	160	150	150	175	235
Max. without extensions	mm	505	650	307	307	410	370
Max. with extensions	mm	-	-	457	457	560	605
Extensions							
Extensions of 50 mm		-	-	1	1	1	-
Extensions of 55 mm		-	-	-	-	-	1
Extensions of 90 mm		-	-	-	-	-	2
Extensions of 100 mm		-	-	1	1	1	-
Pressure							
Working pressure	bar	8-10	8-10	8,5-10	8,5-10	8-10	8-10
Weight	kg	40	116	38	38	82	61

The manufacturer reserves the right to modify the features of its products at any time.

Cod. DPTC000481_04_2024